



Ricoh UK Ltd Partners Day – Beyond Print

# Clinicians & Engineers

A coalescence of skills



- Keith Miller
- Mechanical Engineer
  - Background of mechanical engineering design*
  - C.Eng with the IMechE*
  - MSc in Clinical Engineering*
  - State Registered Clinical Scientist*
- My role is that of a Rehabilitation Engineer
  - Team Lead (a team of 6)*
  - Departmental Quality Manager (for sins in another life!!)*
- 24 years in a department known as ORLAU



## ORLAU?

*Orthotic Research & Locomotor Assessment Unit*

*The Robert Jones & Agnes Hunt Orthopaedic Hospital, Oswestry, Shropshire*

## Brainchild of a leading children's orthopaedic surgeon

*1975 - He could see how engineers could help him treat patients*

*He employed an engineer from industry*

*Together they obtained 5 years of funding to....*

## Develop two groundbreaking devices

*The ORLAU Parawalker*

*The ORLAU Swivel Walker*

## The Parawalker (Spinal injury)



## The Swivel (Spina Bifida)



Both devices went on to be commercially successful across Europe, through several industrial partnerships.

## ORLAU has developed further commercial devices

### *ORLAU Video Vector Generator*

*Real time ground reaction vector superimposed onto video tape, used to assess forces in the lower limbs.*

### *ORLAU Locomotor Guidance System*

*Simplified Parawalker which transmitted spastic movements into rudimentary ambulation coupled with body weight relief.*

### *ORLAU Standing frame*

*For use in mainstream & special schools*

### *ORLAU Contracture Correction Device*

*For stretching soft tissues around the limbs*

ORLAU celebrates its 50<sup>th</sup> year in 2025!



## ORLAU Today

*New facilities in 2008*

*Grown slightly – 30 members of staff (Physio's, Surgeons, Bioengineers, Clinical Scientists, Technicians, Administrators)*

*Multi-disciplinary approach*

*Equal mix of children and adults, all of which are NHS funded*

*3300 patient episodes per year (and rising!)*

*What we do, can be split into three main functions:-*

- *Clinical Movement Analysis*
- *Education of HC Professionals*
- *Rehabilitation Engineering*



## Clinical Movement Analysis

*Clinical Movement Analysis Laboratory*

*3D Movement Analysis*

*2D Ground Reaction Vector Analysis*

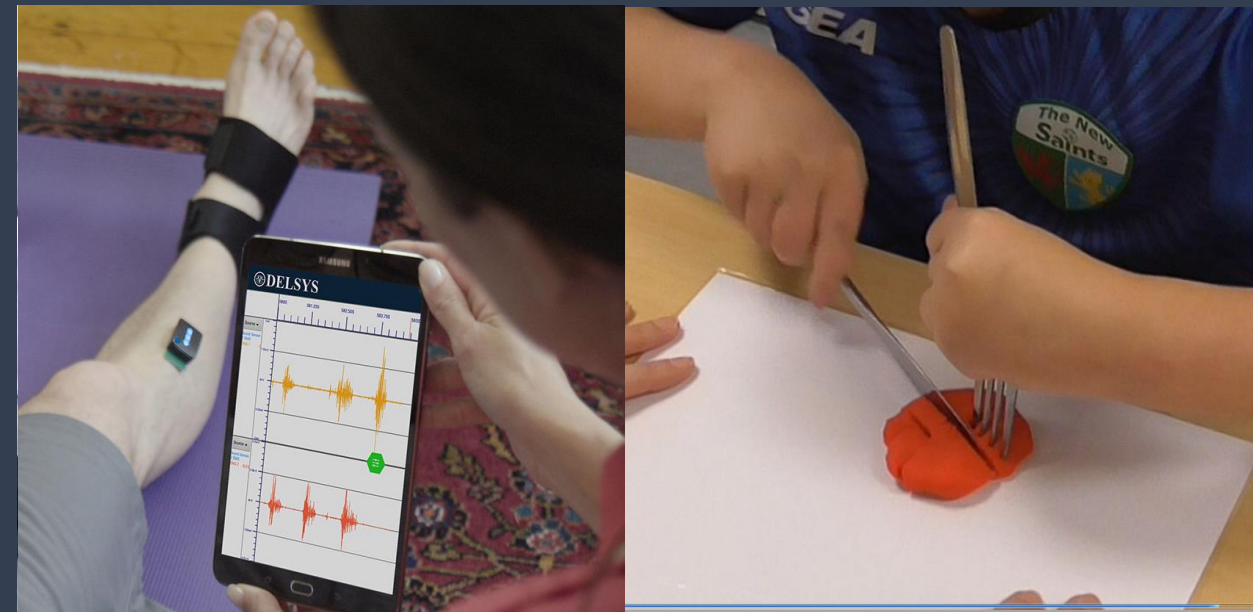
*Functional Electrical Stimulation (FES)*

*Pedobarography (PBG)*

*Electromyography (EMG)*

*Upper Limb Assessment*

*Services designed to assess patient ability & inform the next steps.*



## Education of Professionals

*We're actively involved in a range of course that are aimed at educating clinical professionals.*

*2 in-house courses per year but contribute on many others*

*Certified training centre for the National School of Healthcare Scientists*



## Rehabilitation Engineering

### The Team

*2x Clinical Scientists, 3x Engineering Technicians, 1x QMS Data Officer*

### Core Business

*Standing Frames – In-house manufacture*

*Walking Devices – Commercially purchased & modified*

*Stretching Devices – Mix of in-house and sub-contract manufacture*

**Bespoke Solutions** – *Patient Assessment, design & development, manufacture, supply & routine review*

### Quality Management

*Develop under ISO 13485 and have a strong ethos of safe design & physical testing prior to supplying to patients*



# Standing Frames – Measure, manufacture, supply & review

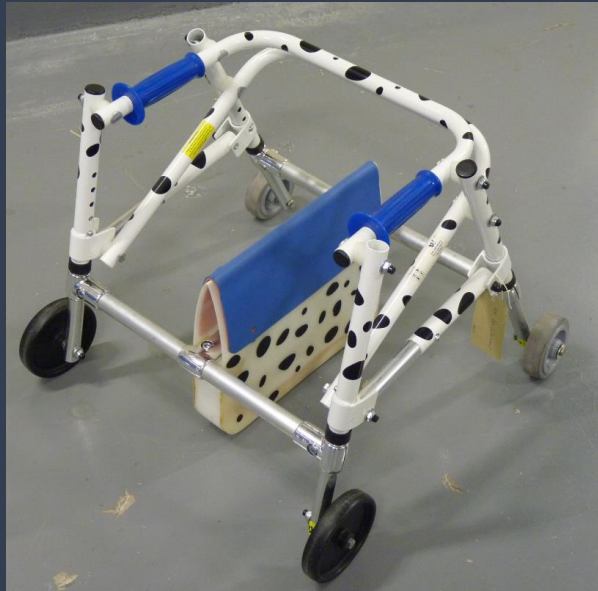


ORLAU 1000 & ORLAU Adult Standing Frame

Meercat - (R82)

# Walking Devices – Measure, supply & review

Rehabilitation Engineering



Kaye Walker - (RMS)



Meywalk - (Meyland Smith)



Grillo - (Ormesa)

# Stretching Devices – *Measure, manufacture, supply & review*



ORLAU Os-Stretch



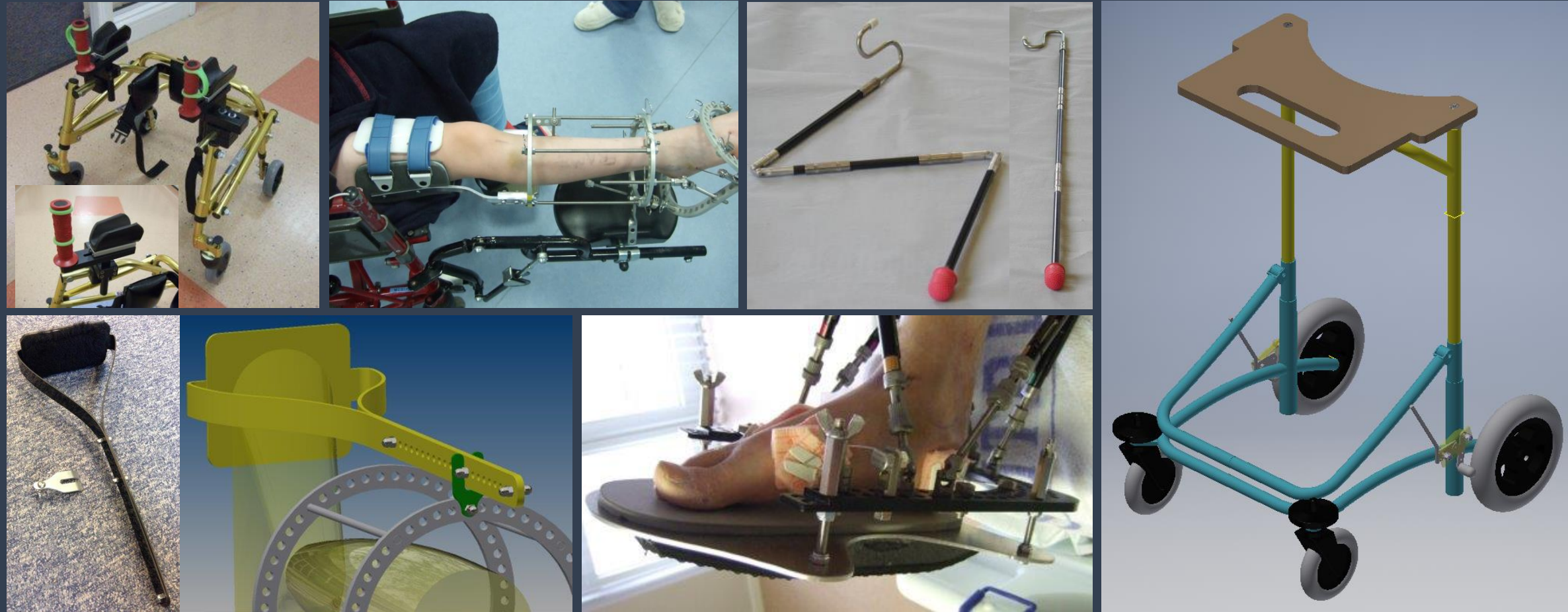
Commercially available  
Stretching Joints

Commercially available  
Stretching Devices

ORLAU CCD

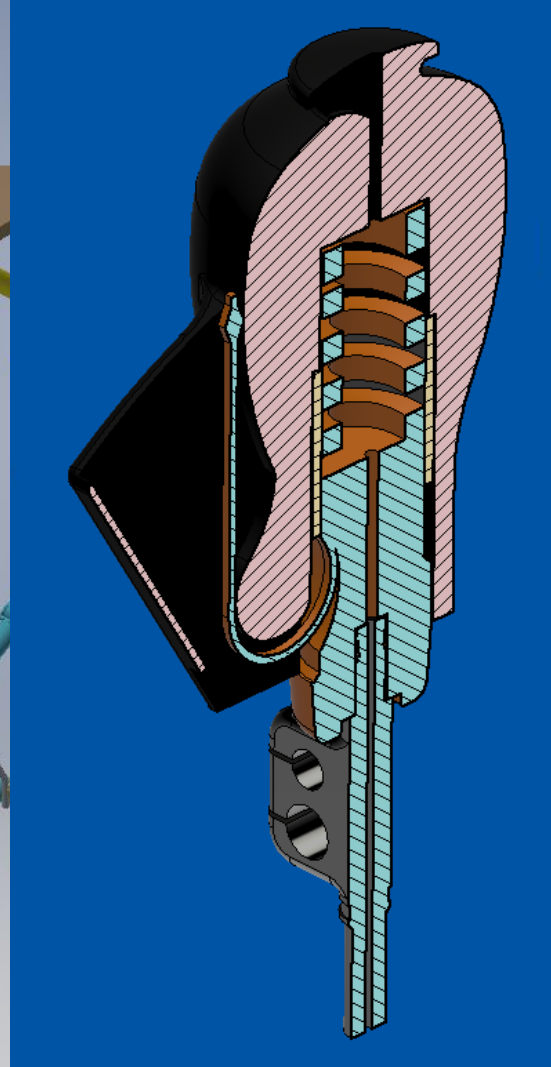
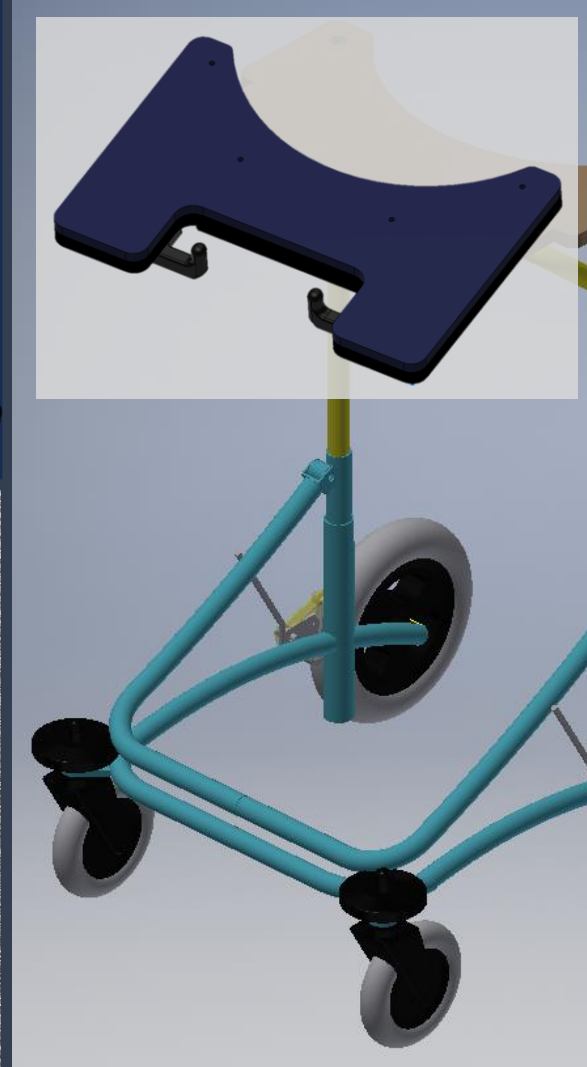
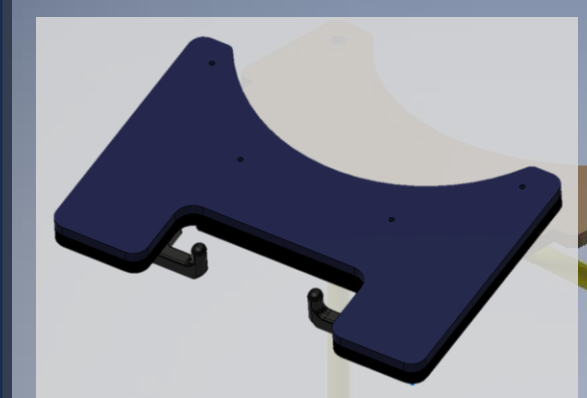
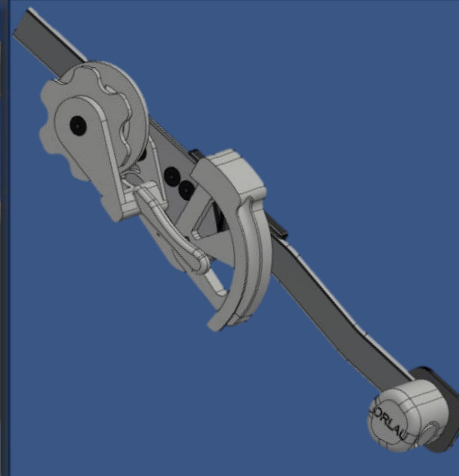
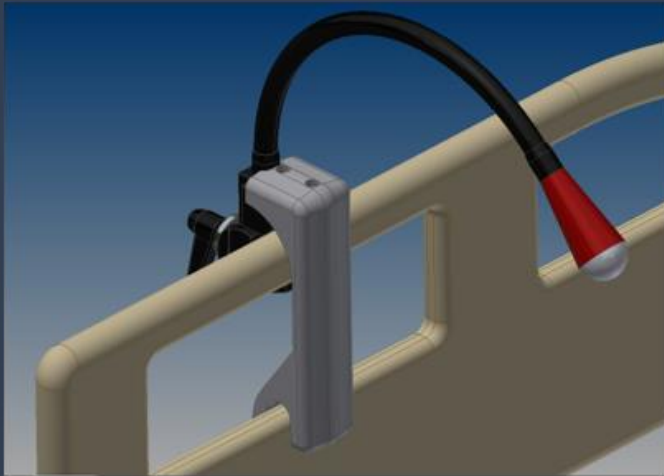
# Bespoke Solutions - *Assess, design, manufacture, supply & review*

Rehabilitation Engineering



# Bespoke Solutions (AM) – Assess, design, manufacture, supply & review

Rehabilitation Engineering



## Partnership with Ricoh 3D

*Started in 2017*

*Location here in Telford was key*

*Professionalism of the team*

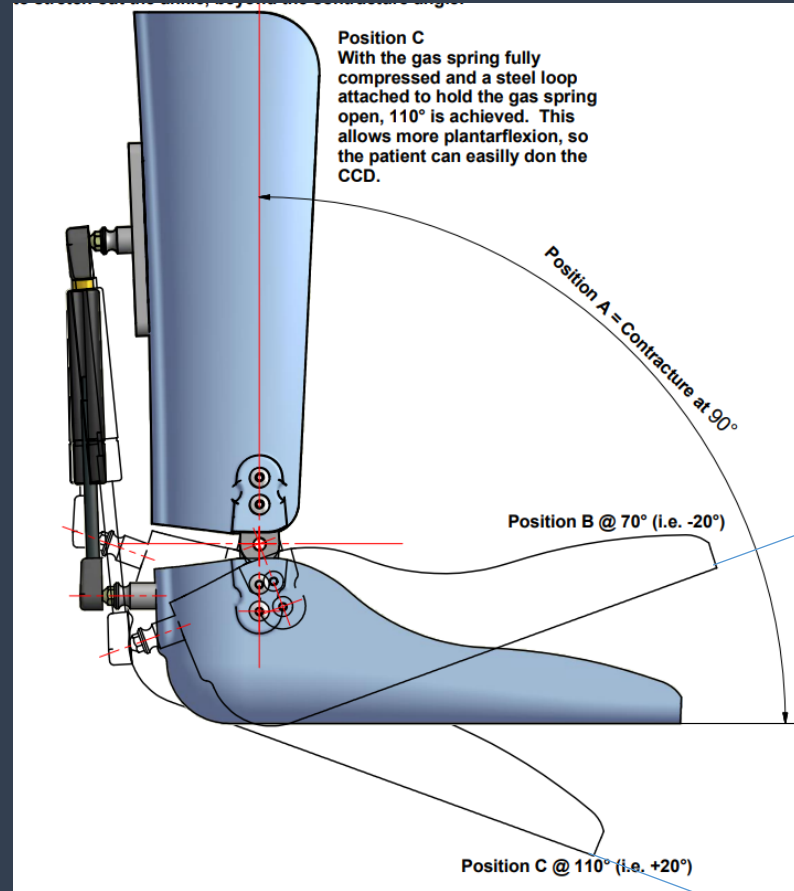
*Their knowledge of AM*

*ISO 13485 certification*

Help with a long-standing problem...

## Partnership with Ricoh 3D

Partnership with RICOH



Stretching position

Donning position

## Partnership with Ricoh 3D



*Difficult to use!*



*Complicated to machine and the cable kept failing*



*Off-centre loads deformed the pivot point*





## Ankle CCD Lever partnership



*Very successful,  
used on all ankle  
CCD's*

*650 put into  
service Dec 17 to  
Mar 22*

*But the ball was  
susceptible to  
popping out!!*

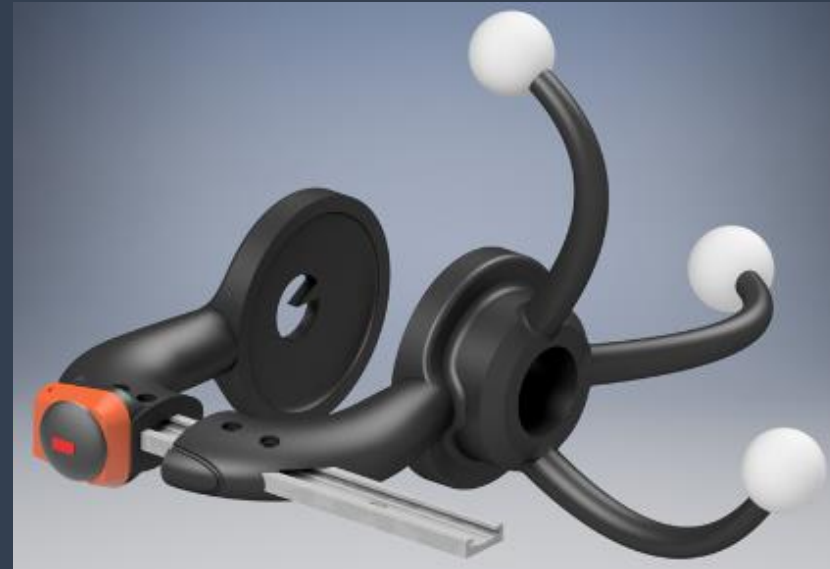
*to be continued...*

## Multi Jet Fusion

*The game changer for us!*

*Strength & visual appeal – finished products instead of prototypes!*

## Knee Alignment Device & TCT Award



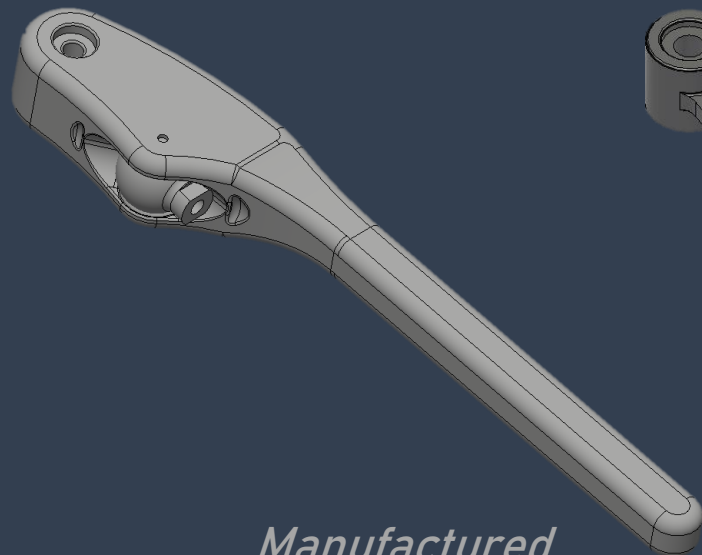
## Multi Jet Fusion CCD Lever

*The SLS lever was being routinely attached to every ankle CCD in ORLAU*

*The strength of MJF provided an opportunity to redesign it*

*Make it slimmer*

*Make it more attractive*



*Manufactured  
650 – Dec 17 &  
Mar 22.*



*Manufactured  
540 – Jun 22  
& Dec 23*



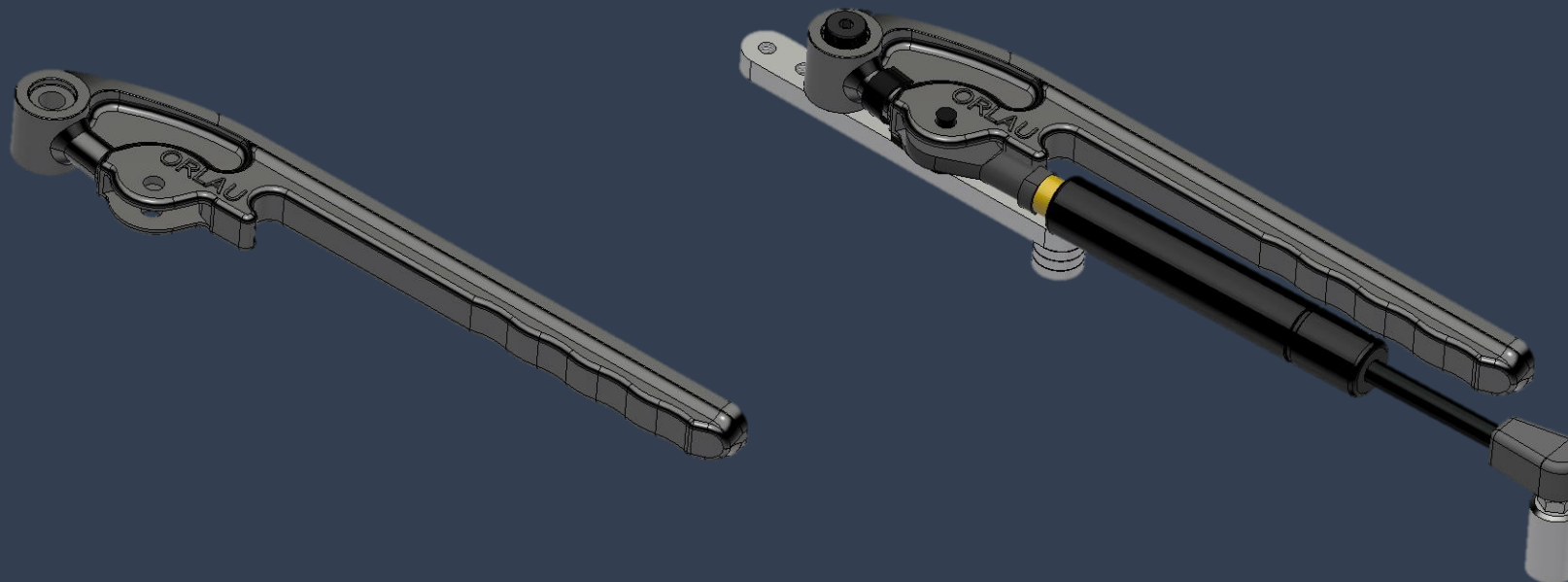
*Manufactured  
100 – Jan 24*

## Commercialisation of the CCD Lever Kit of Parts

*Ambition to commercialise the lever and componentry  
Ricoh 3D showed some tentative interest*

*As of April, this ORLAU developed kit will be commercially  
available to the wider UK healthcare market!*

*This marks the first commercialisation of a new ORLAU product  
for over 15 years!*



## What the future holds??

### *Redevelopment of our standing frame*



We were amazed with the discovery workshop and very impressed by the professionalism and energy that was brought by the team. We found it extremely valuable and that was testament to the manner with which the MTC team interacted and fuelled the discussions on the day. The non-engineers amongst us were blown away by the whole process and amazing facilities. We came away with more in that one day than we hoped for; it was way above our expectations.

**Keith Miller CEng MIMechE Clin Sci,**  
Rehabilitation Engineer, the RJAH Orthopaedic Hospital NHS Foundation Trust



Manufacturing Technology Centre,  
Pilot Way, Ansty Park,  
Coventry, CV7 9JU

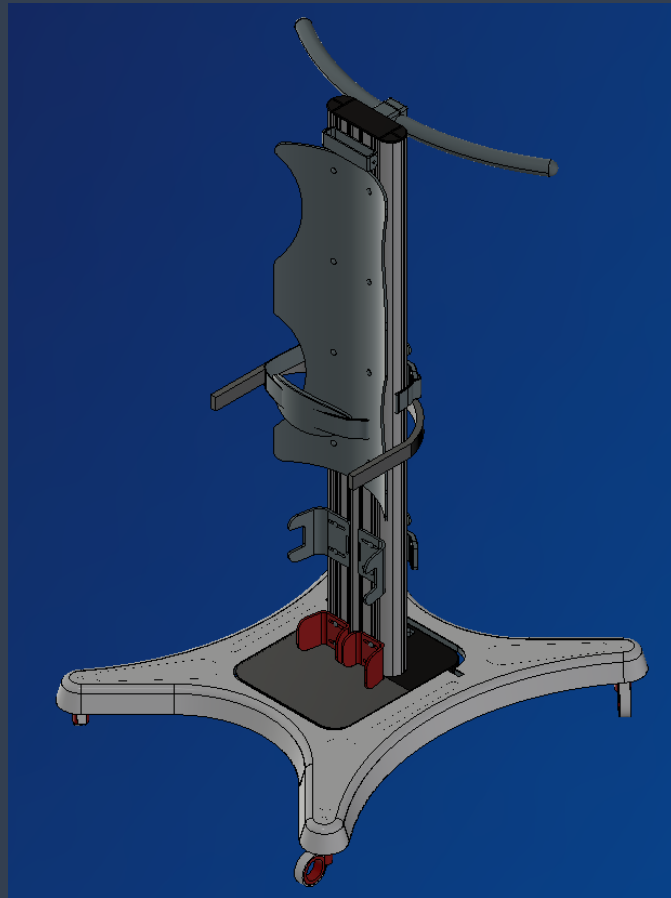
Tel: +44 (0) 2476 701 600  
[www.the-mtc.org](http://www.the-mtc.org)



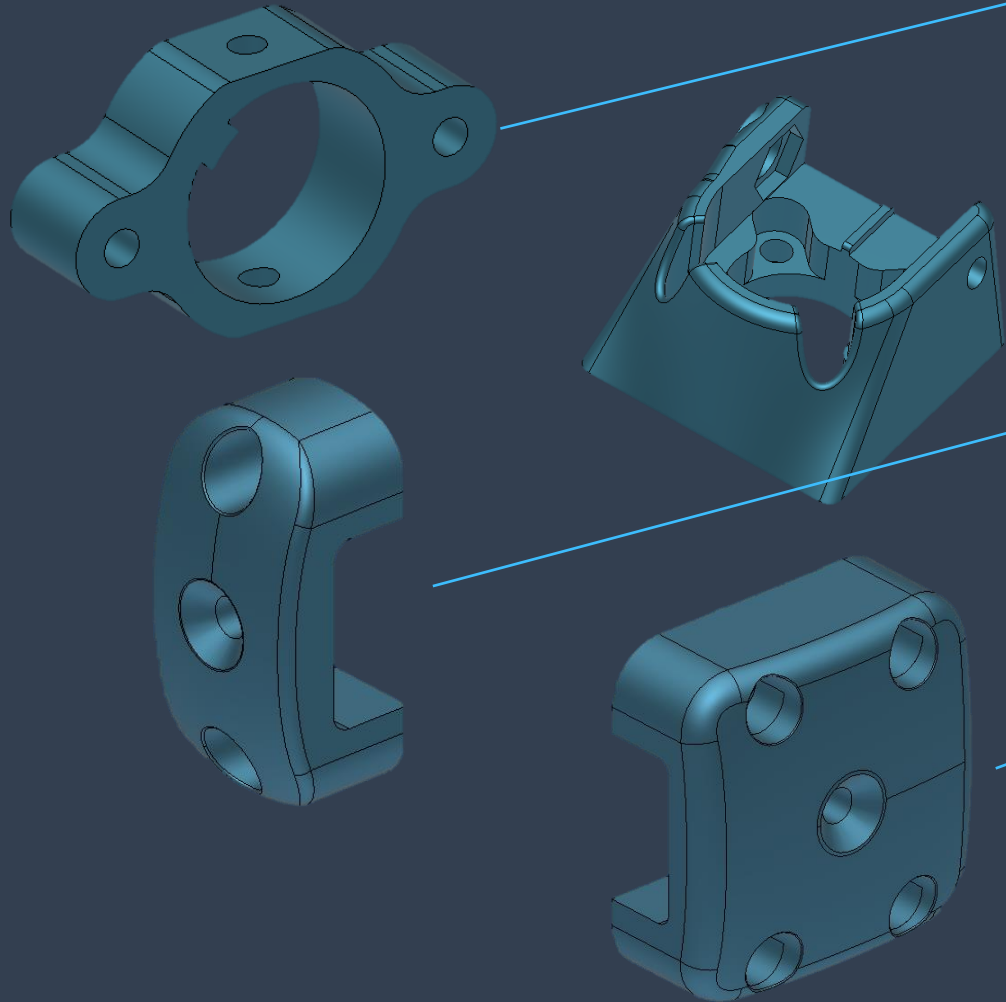
[Manufacturing Technology Centre \(the-mtc.org\)](http://the-mtc.org)

# What the future holds

*Redevelopment of our standing frame*



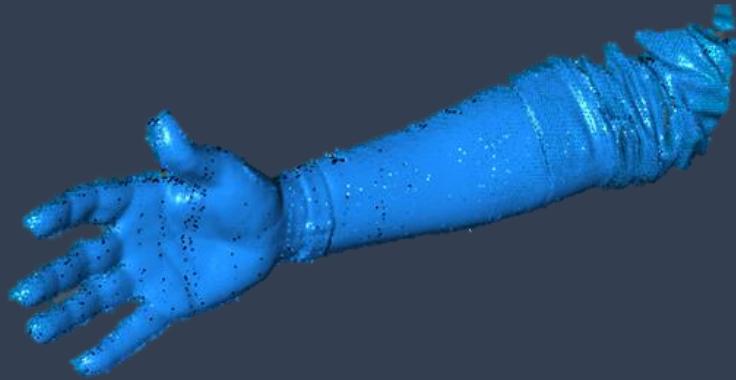
What the future holds  
*Redevelopment of our standing frame – more AM!!*



*Family of products!*  
*Sit-To-Stand Frame*  
*Postural Walker*

## What the future holds

*Use of more design technology*



### Patient Scanning

*Purchased a scanner last year*

*To move from tape measure to direct modelling*

*Hoped for even more tailored solutions*



### More use of emerging technology

*Generative design (Reached the limit of my CAD skills!!)*

*Utilise topology software to reduce material use/mass*

*Keep an eye on flexible materials such as TPU*

*Aluminium Metal Binder Jetting & Composite-Based*

*AM*



Hopefully, I have...

*Introduced you to a world of engineering that you've not seen before.*

*Demonstrated how engineers and clinicians can combine to produce unique & essential, patient centred solutions.*

*Highlighted AM as a vital component of our future developments.*

*Provided a sign of things to come from RJAH/ORLAU.*

**Thank you**  
for listening